



VSI Sand Making Machine

CRUSHING | GRINDING | QUARRY PLANT | SCREENING | WASHERS | FEEDING | CONVEYOR
Shanghai Joyal Mining Machinery Co., Ltd.





VSI

The JOYAL VSI Crusher is improved on the basis of Germany high technology, which is highly-efficient and superior in performance. The JOYAL VSI Crusher (sand making machine) is widely used to produce sand and stone for highway, high-speed railway, city project, hydropower dam constructions, and concrete mixing plant, and it's also widely used in sand making and stone reshaping industry.





Features

VSI Crushers

the latest research results basing on Germany technology

1. The oil needed is supplied by two oil pumps, and the machine stops automatically if there is no oil; the motor can be heated automatically in winter to ensure the normal working of the machine.

2. Hydraulic lifting system to check and replace the spare parts, thus it's very easy and simple to maintain.

3. The bearing is of SKF and TIMKEN brand to ensure the normal working of the machine.

4. Unique vibrating alarm device: if the machine works abnormally, the alarm will sound to stop the machine, thus protecting the whole machine.

5. Special feeding structure; rock on rock, and rock on iron to make the stones crushed and reshaped.

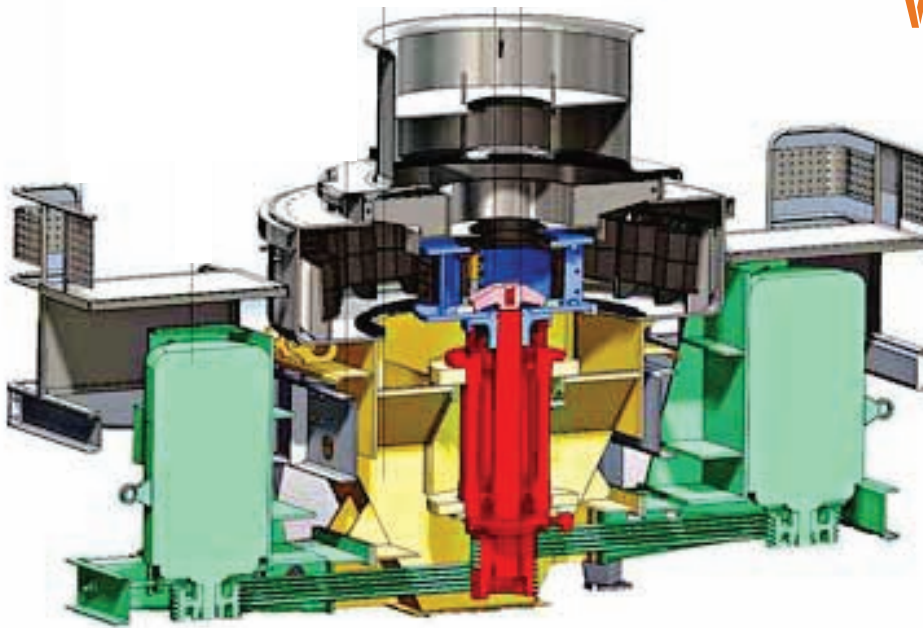
6. Unique dustproof seal system to prevent the dust getting into the spare parts.

7. Unique design of material bumping angle reduces the friction between raw material and spare parts, extending the working life of spare parts and cut the cost.



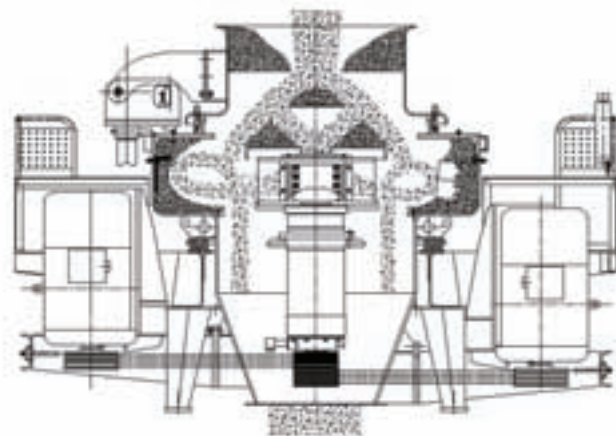
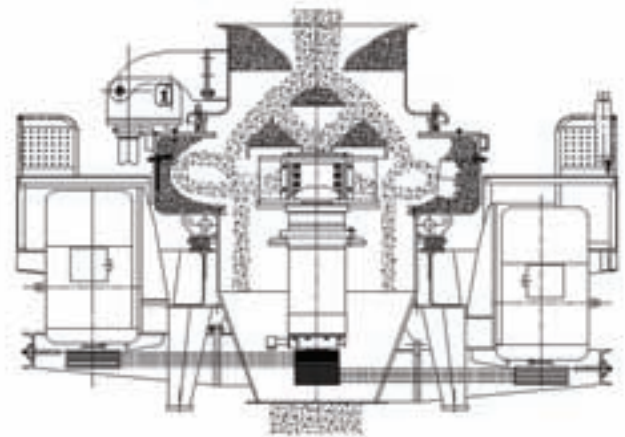


Working Principle



– Center Feeding:

Raw materials fall down into the feeding hopper, then enters the impellor through central entrance inlet, thus the material being accelerated by the high-speed impellor and being thrown out at the speed of 60-75m/s. It is crushed when hitting the impact plate, and the end products comes out from the discharging outlet.



– Ring Feeding:

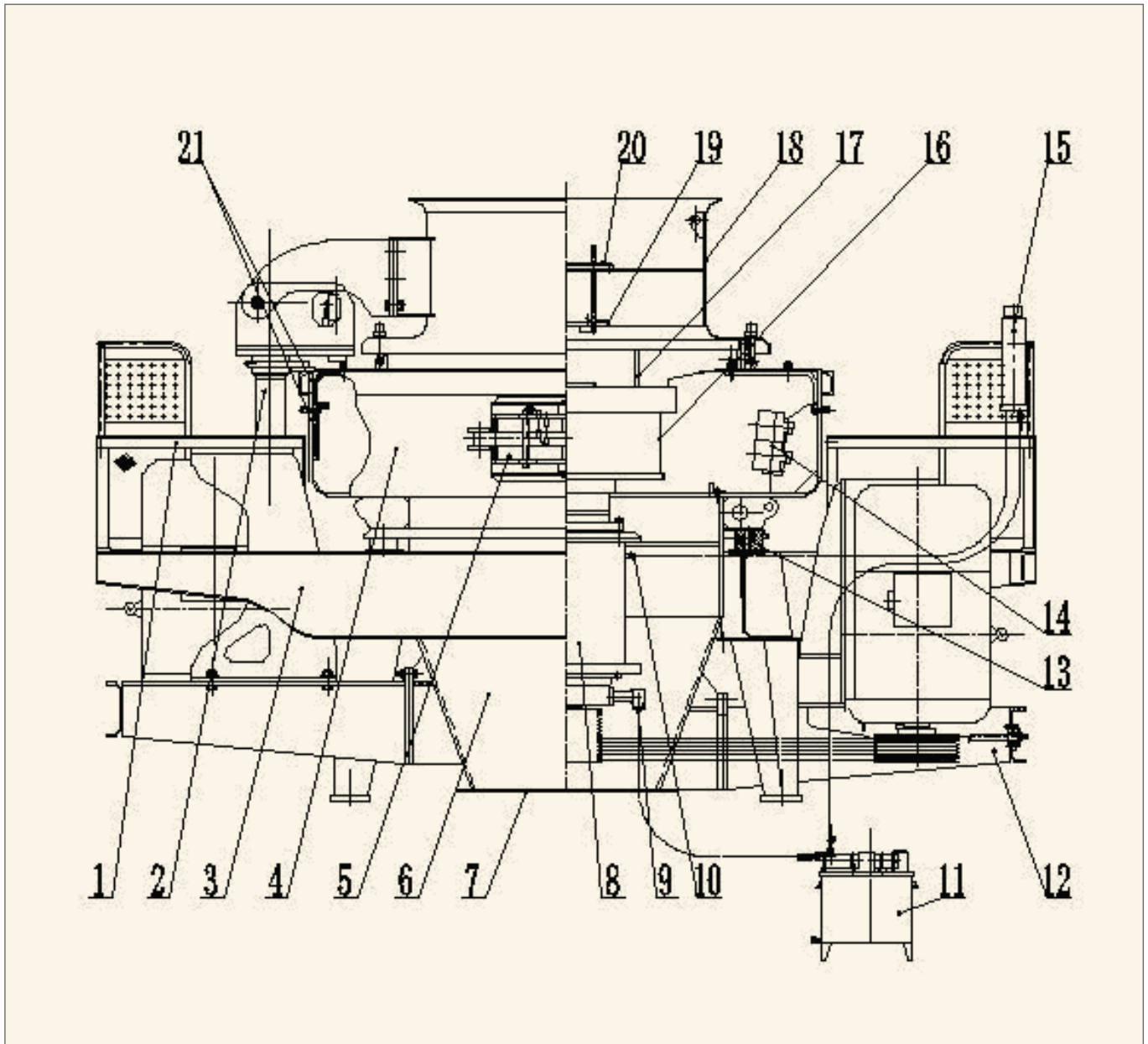
Raw materials fall down into the feeding hopper, and the materials are divided into two parts by a special plate. Some materials enter the impellor through the center of the plate and the other part of materials falls down from outside of the plate. The materials thrown out earlier crush the materials down from outside, thus the materials crushed and re-crushed.



Model		VSI-7611	VSI-8518	VSI-9526	VSI-1140
Capacity (t/h)	Center and Sides Feeding	120-180	200-260	300-380	450-520
	Center Feeding	60-90	100-130	150-190	225-260
Max. Feeding Size (mm)	Soft Material	35	40	45	50
	Hard Material	30	35	40	45
Rotation Speed(rpm)		1700-1890	1520-1690	1360-1510	1180-1310
Double Motor Power (KW)		110	180	264	400
Overall Dimension L×W×H (mm)		3700×2150×2100	4140×2280×2425	4560×2447×2778	5000×2700×3300
Weight (t)		7.8	10.3	16	25.6
Vibrating Sensor		Inspection Range: 0.1-20mm/s continual adjustment			
Hydraulic Oil Pump	Motor Power of Double Oil Pump(KW)	2×0.31KW			
	Overall Dimension L×W×H (mm)	820×520×1270			
	Power of Oil Tank Heater	2KW			



Structure Drawing of VSI Sand Making Machine



- | | | | | | | |
|------------------|----------------|------------------------|-------------------------|----------------------|----------------------|----------------------|
| 1. Pedal | 4. Upper Body | 7. Outlet | 10. Oil Inlet Pipe | 13. Vibration Damper | 16. Sling Wheel | 19. Dispensing Plate |
| 2. Cover Rotator | 5. Access Door | 8. Main Shaft Assembly | 11. Diluted Oil Station | 14. Guard Plate | 17. Separating Plate | 20. Inlet |
| 3. Support Rrame | 6. Lower Body | 9. Oil Return Pipe | 12. Transmission Gear | 15. Head Oil Tank | 18. Feeding Hopper | 21. Guard Plate |

GLOBAL MARKET LEADER IN CRUSHING TECHNOLOGY





Add: No.3389, East Huaxia Road, Pudong New Area, Shanghai, China.
Email: joyal@crusherinc.com
Tel: 0086-21-68763311 0086-21-68763366
Web: <http://www.joyalcrusher.com>